

Technical data sheet

Product features



Cooking range induction 4/8 zones

Model	SAP Code	00013622
TPIT-98ET	A group of articles - web	Stoves



- Device type: Electric unit
- Power consumption of the zone 1 [kW]: 3,5
- Power consumption of the zone 2 [kW]: 3,5
- Power consumption of the zone 3 [kW]: 3,5
- Power consumption of the zone 4 [kW]: 3,5
- Power consumption of the zone 5 [kW]: 3,5
- Power consumption of the zone 6 [kW]: 3,5
- Material: AISI 304

SAP Code	00013622	Power consumption of the zone 1 [kW]	3,5
Net Width [mm]	800	Power consumption of the zone 2 [kW]	3,5
Net Depth [mm]	900	Power consumption of the zone 3 [kW]	3,5
Net Height [mm]	280	Power consumption of the zone 4 [kW]	3,5
Net Weight [kg]	70.00	Power consumption of the zone 5 [kW]	3,5
Power electric [kW]	28.000	Power consumption of the zone 6 [kW]	3,5
Loading	400 V / 3N - 50 Hz	Power consumption of the zone 7 [kW]	3,5
Number of zones	8	Power consumption of the zone 8 [kW]	3,5

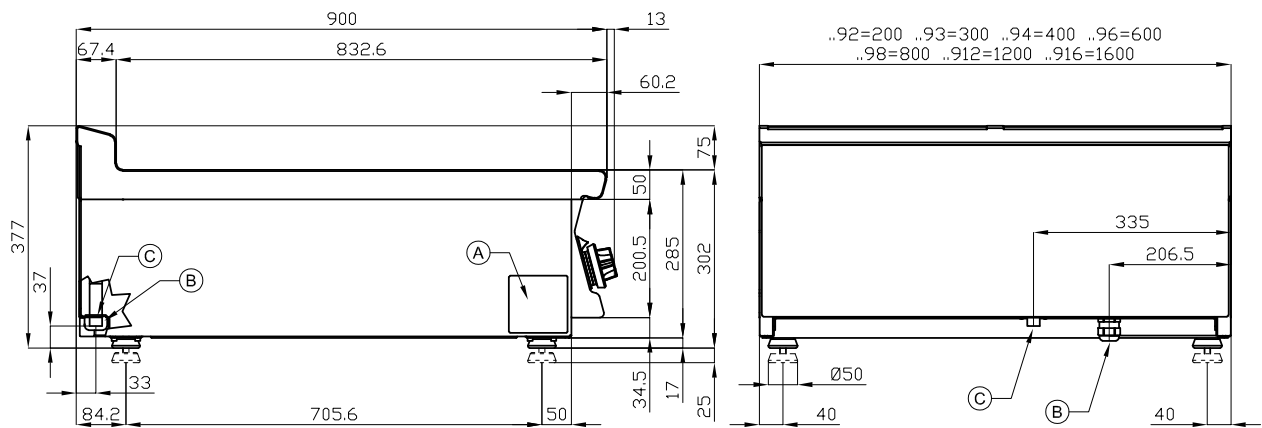
Technical data sheet

Technical drawing



Cooking range induction 4/8 zones

Model	SAP Code	00013622
TPIT-98ET	A group of articles - web	Stoves



A	Data plate		B	Electrical connection	
---	------------	--	---	-----------------------	--

Technical data sheet

Technical parameters



Cooking range induction 4/8 zones

Model	SAP Code	00013622
TPIT-98ET	A group of articles - web	Stoves

1. SAP Code:

00013622

2. Net Width [mm]:

800

3. Net Depth [mm]:

900

4. Net Height [mm]:

280

5. Net Weight [kg]:

70.00

6. Gross Width [mm]:

830

7. Gross depth [mm]:

970

8. Gross Height [mm]:

540

9. Gross Weight [kg]:

80.00

10. Device type:

Electric unit

11. Construction type of device:

Table top

12. Power electric [kW]:

28.000

13. Loading:

400 V / 3N - 50 Hz

14. Exterior color of the device:

Stainless steel

15. Material:

AISI 304

16. Worktop type:

Molded - comfortable cleaning maintenance

17. Worktop Thickness [mm]:

2.00

18. Number of zones:

8

19. Power consumption of the zone 1 [kW]:

3,5

20. Power consumption of the zone 2 [kW]:

3,5

21. Power consumption of the zone 3 [kW]:

3,5

22. Power consumption of the zone 4 [kW]:

3,5

23. Power consumption of the zone 5 [kW]:

3,5

24. Power consumption of the zone 6 [kW]:

3,5

25. Power consumption of the zone 7 [kW]:

3,5

26. Power consumption of the zone 8 [kW]:

3,5

27. Service accessibility:

Trough the frontal panel

28. Safety thermostat:

Yes

Technical data sheet

Technical parameters



Cooking range induction 4/8 zones

Model	SAP Code	00013622
TPIT-98ET	A group of articles - web	Stoves

29. Adjustable feet:

Yes

31. Type of electric cooking zones:

Induction

30. Number of burners/hot plates:

8

32. Cross-section of conductors CU [mm²]:

10